

TE5TV Time Lag Radial Lead Micro Fuse Series



Approvals

VDE	50mA~6.3A
CSA Acceptance	50mA~6.3A
UL Recognized	50mA~6.3A
MITI	1A~5A
SEMKO	50mA~5A
CCC	50mA~5A

Electrical Characteristics

Rated Current	1.5In		2.1In		2.75In		4 In		10In	
	MIN	MAX	MIN	MAX	MIN	MAX	MIN	MAX	MIN	MAX
50mA~5A	60 Min	2 min	400 ms	10 sec	150 ms	3 ms	20 ms	150 ms		
6.3A	60 min	2 min	400 ms	10 sec	150 ms	3 ms	20 ms	150 ms		

Interrupting Ratings

35 amperes or 10 x rated current; whichever is greater at 250V AC

Environmental Specification

Operating Temperature

-55°C to +125°C

Shock

MIL-STD-202, Method 213, Condition 1 (Saw tooth)

Vibration

MIL-STD-202, Method 201 (10-55 Hz x 3axis/no load)

Salt Spray

MIL-STD-202, Method 101, Test Condition B (48Hrs)

Insulation Resistance

MIL-STD-202, Method 302, Test Condition A (After Opening) 10.000 ohms minimum

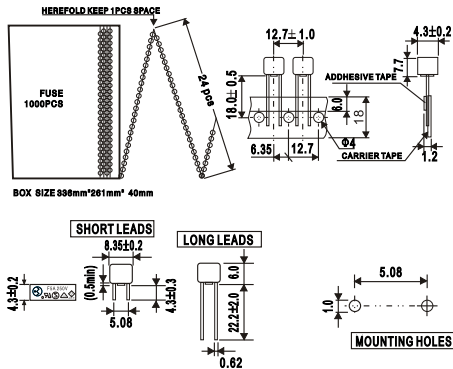
Resistance to Solder Heat

MIL-STD-202, Method 210, Test Condition F (10sec, at 260°C)

Thermal Shock:

MIL-STD-202, Method 107, Test Condition B (-65°C to +125°C)

Mechanical Dimensions



Physical Specification

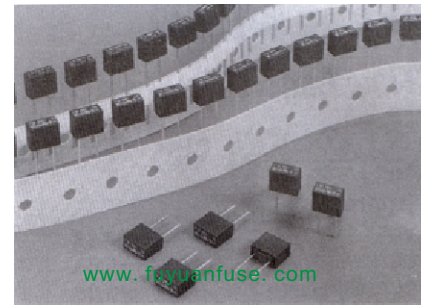
Materials

Base and Cap: Black thermoplastic, UL 94-V0
pin: Tin-lead plated alloy

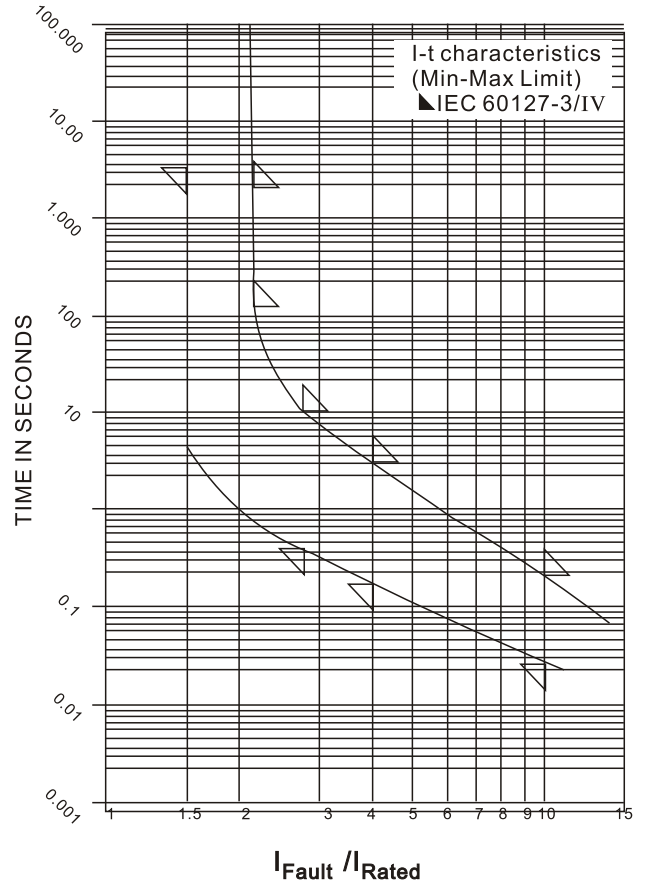
Packaging

1. Inbulk: 1,000 pcs per box.
2. On Tap: Ammo pack, 1,000 pcs box

Patented



Cartridge Catalog Number	Ampere Rating [In]	Voltage Rating (V)	Nominal Resistance Cold Ohms	Voltage Drop (mv)MAX	Nominal Melting I ² t A ² Sec
TE5TV.050	50mA	250V	6.8470	550	0.020000
TE5TV.063	63mA		4.6550	500	0.027700
TE5TV.080	80mA		2.8730	400	0.030000
TE5TV.100	100mA		2.1170	350	0.040000
TE5TV.125	125mA		1.2560	300	0.080000
TE5TV.160	160mA		0.8230	250	0.150000
TE5TV.200	200mA		0.5960	250	0.260000
TE5TV.250	250mA		0.4050	220	0.470000
TE5TV.315	315mA		0.2670	200	0.770000
TE5TV.400	400mA		0.2000	180	1.200000
TE5TV.500	500mA		0.1770	170	1.950000
TE5TV.630	630mA		0.1270	160	3.100000
TE5TV.800	800mA		0.0860	150	5.100000
TE5TV1	1A		0.0650	140	7.800000
TE5TV 1.25	1.25		0.0500	130	12.50000
TE5TV 1.60	1.6A		0.0370	120	20.00000
TE5TV 2	2A		0.0300	100	32.00000
TE5TV 2.50	2.5A		0.0220	100	49.00000
TE5TV 3.15	3.15A		0.0170	100	78.00000
TE5TV4	4A		0.0120	100	126.0000
TE5TV5	5A		0.0091	100	198.5000
TE5TV 6.30	6.3A		0.0071	100	315.0000



富源电子科技有限公司