

## TE5FV

### Fast Acting Radial Lead Micro Fuse Series



#### Approvals

VDE	50mA~6.3A
CSA Acceptance	50mA~6.3A
UL Recognized	50mA~6.3A
MITI	1A~5A
SEMKO	50mA~5A
CCC	50mA~5A

#### Electrical Characteristics

Rated Current	1.5In		2.1In		2.75In		4 In		10In
	MIN	MAX	MIN	MAX	MIN	MAX	MIN	MAX	MAX
50mA~5A	60 min	30 min	10 ms	3 sec	3 ms	300 ms	20 ms		
6.3A	60 min	30 min	10 ms	5 sec	3 ms	300 ms	20 ms		

#### Interrupting Ratings

35 amperes or 10 x rated current; whichever is greater at 250V AC

#### Environmental Specification

##### Operating Temperature

-55°C to +125°C

##### Shock

MIL-STD-202, Method 213, Condition 1 (Saw tooth)

##### Vibration

MIL-STD-202, Method 201 (10-55 Hz x 3axis/no load)

##### Salt Spray

MIL-STD-202, Method 101, Test Condition B (48Hrs)

##### Insulation Resistance

MIL-STD-202, Method 302, Test Condition A (After Opening) 10.000 ohms minimum

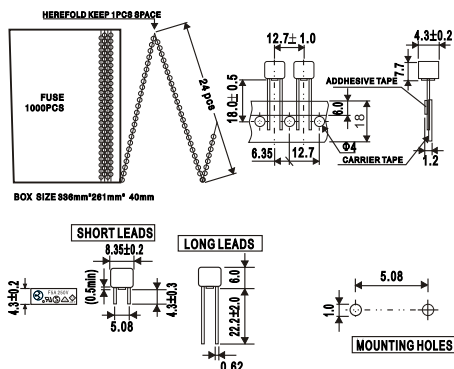
##### Resistance to Solder Heat

MIL-STD-202, Method 210, Test Condition F (10sec, at 260°C)

##### Thermal Shock:

MIL-STD-202, Method 107, Test Condition B (-65°C to +125°C)

#### Mechanical Dimensions



#### Physical Specification

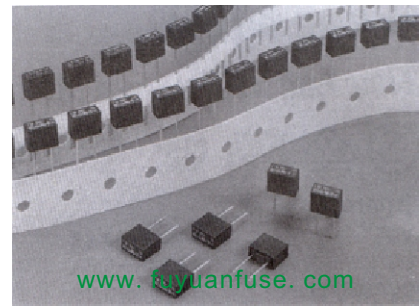
##### Materials

Base and Cap: Black thermoplastic, UL 94-V0  
pin: Tin-lead plated alloy

##### Packaging

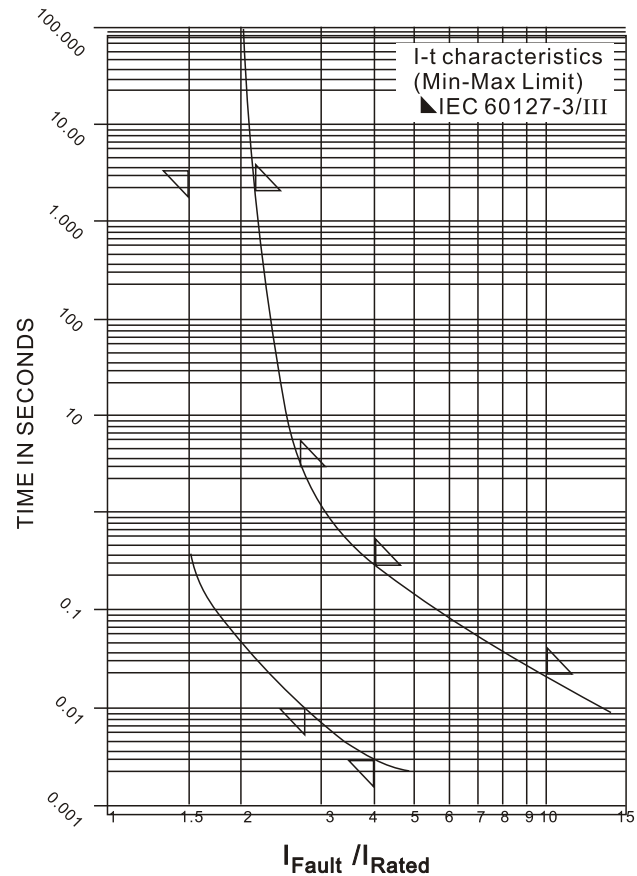
1. Inbulk: 1,000 pcs per box.
2. On Tap: Ammo pack, 1,000 pcs box

##### Patented



www.fuyuanfuse.com

Cartridge Catalog Number	Ampere Rating [In]	Voltage Rating (V)	Nominal Resistance Cold Ohms	Voltage Drop (mv)MAX	Nominal Melting I <sup>2</sup> t A <sup>2</sup> Sec
TE5FV.050	50mA	250V	4.1970	650	0.000325
TE5FV.063	63mA		2.8020	500	0.001580
TE5FV.080	80mA		1.8650	400	0.003200
TE5FV.100	100mA		1.7410	350	0.005000
TE5FV.125	125mA		1.2620	350	0.006250
TE5FV.160	160mA		0.8290	330	0.007680
TE5FV.200	200mA		0.4850	300	0.024000
TE5FV.250	250mA		0.3670	250	0.043750
TE5FV.315	315mA		0.2720	230	0.059530
TE5FV.400	400mA		0.1940	210	0.080000
TE5FV.500	500mA		0.1290	170	0.083000
TE5FV.630	630mA		0.0960	150	0.119000
TE5FV.800	800mA		0.0720	130	0.192000
TE5FV1	1A		0.0520	120	0.300000
TE5FV 1.25	1.25		0.0430	120	0.468700
TE5FV 1.60	1.6A		0.0310	110	0.896000
TE5FV2	2A		0.0260	110	1.200000
TE5FV 2.50	2.5A		0.0190	100	2.500000
TE5FV 3.15	3.15A		0.0140	100	3.969000
TE5FV4	4A		0.0110	100	7.200000
TE5FV5	5A	0.0083	90	15.00000	
TE5FV 6.30	6.3A	0.0061	80	47.62800	



富源电子科技有限公司