

## Type 3GTU Time-lag glass Tube Fuse with Pig-Tail Series



### Approvals

|               |         |                      |         |
|---------------|---------|----------------------|---------|
| 3GTU          |         | 3GTUP(with Pig-Tail) |         |
| UL Listed     | 50mA~8A | UL Listed            | 50mA~8A |
| CSA Certified | 50mA~8A | CSA Certified        | 50mA~8A |

### Electrical Characteristics

| Rated Current | 1 In  | 2 In  |
|---------------|-------|-------|
|               | MIN   | MAX   |
| 50mA~8A       | 4 Hrs | 60Sec |

### Interrupting Ratings

50 amperes at 250V AC

### Operating Temperature

-55°C to +125°C

### Options

With Heat Shrink Tubing (VM-1) over body

3GTUP Series Available on Tape and reel

### Physical Specification

#### Materials

Glass body/Nickel Brass Caps

#### Lead Wire:

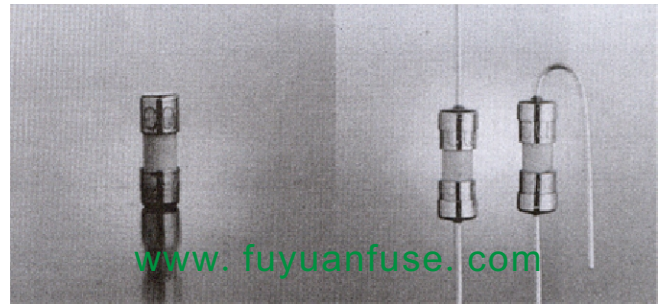
Diameter  $\varnothing$ 0.6mm 5A and less.

Diameter  $\varnothing$ 0.65mm for rating above 6A

### Packaging

In Bulk:

3GTU-500pcs; 3GTUP-200pcs

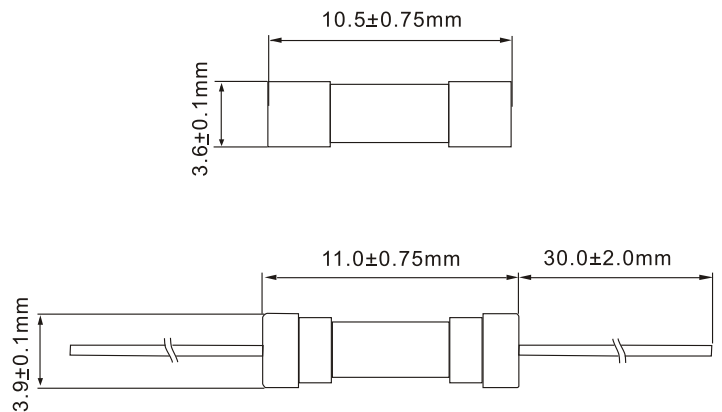
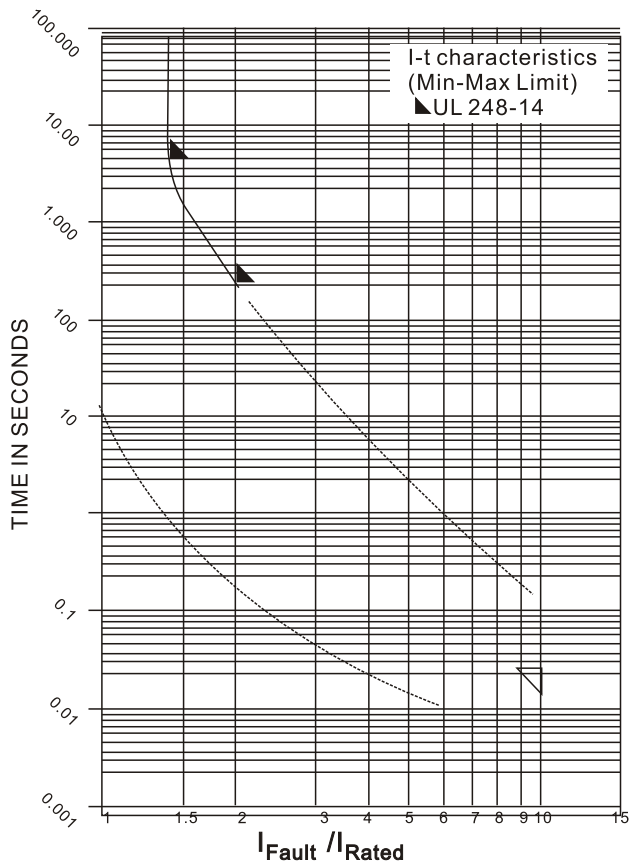


www.fuyuanfuse.com

| Cartridge Catalog Number | Axial Lead Catalog Number | Ampere Rating [In] | Voltage Rating (V) | Nominal Resistance Cold Ohms | Nominal Melting $\rho$ t A <sup>2</sup> Sec |
|--------------------------|---------------------------|--------------------|--------------------|------------------------------|---|
| 3GTU.100                 | 3GTUP.100                 | 100mA              | 125V<br>250V       | 4.1550                       | 0.0025                                      |
| 3GTU.125                 | 3GTUP.125                 | 125mA              |                    | 2.9850                       | 0.0039                                      |
| 3GTU.200                 | 3GTUP.200                 | 200mA              |                    | 1.7580                       | 0.0110                                      |
| 3GTU.250                 | 3GTUP.250                 | 250mA              |                    | 1.5120                       | 0.0183                                      |
| 3GTU.300                 | 3GTUP.300                 | 300mA              |                    | 0.9255                       | 0.0532                                      |
| 3GTU.400                 | 3GTUP.400                 | 400mA              |                    | 0.3350                       | 0.1534                                      |
| 3GTU.500                 | 3GTUP.500                 | 500mA              |                    | 0.2510                       | 0.3745                                      |
| 3GTU.600                 | 3GTUP.600                 | 600mA              |                    | 0.1550                       | 0.5200                                      |
| 3GTU.800                 | 3GTUP.800                 | 800mA              |                    | 0.1420                       | 0.8545                                      |
| 3GTU1                    | 3GTUP1                    | 1A                 |                    | 0.1100                       | 1.2650                                      |
| 3GTU1.50                 | 3GTUP1.50                 | 1.5A               |                    | 0.0710                       | 3.5120                                      |
| 3GTU1.60                 | 3GTUP1.60                 | 1.6A               |                    | 0.0620                       | 3.4141                                      |
| 3GTU2                    | 3GTUP2                    | 2A                 |                    | 0.0504                       | 6.0570                                      |
| 3GTU2.50                 | 3GTUP2.50                 | 2.5A               |                    | 0.0353                       | 8.8640                                      |
| 3GTU3                    | 3GTUP3.15                 | 3.15A              |                    | 0.0237                       | 18.108                                      |
| 3GTU4                    | 3GTUP4                    | 4A                 |                    | 0.0181                       | 30.240                                      |
| 3GTU5                    | 3GTUP5                    | 5A                 | 0.0144             | 54.626                       |   |
| 3GTU6                    | 3GTUP6                    | 6A                 | 0.0115             | 78.214                       |   |
| 3GTU7                    | 3GTUP7                    | 7A                 | 0.0085             | 95.241                       |   |
| 3GTU8                    | 3GTUP8                    | 8A                 | 0.0078             | 118.236                      |   |



富源电子科技有限公司



富源电子科技有限公司

HTTP: //www.fuyuanfuse.com

E-mail:fuyuanfuse@163.com

地址:东莞市东城区下桥银桥工业区

TEL: 0769-23115816 FAX: 0769-23115819