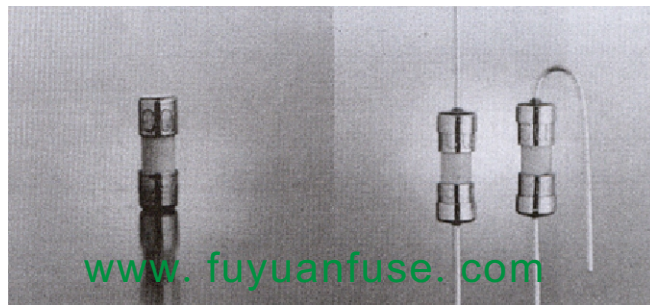


3. 6X10mm玻璃管快断美规保险丝 Fast acting glass Tube Fuse

Type 3GFU
Fast acting glass Tube Fuse with Pig-Tail Series



www.fuyuanfuse.com

Approvals

3GFU		3GFUP(with Pig-Tail)	
UL Listed	50mA~8A	UL Listed	50mA~8A
CSA Certified	50mA~8A	CSA Certified	50mA~8A

Electrical Characteristics

Rated Current	1 In	2 In
	MIN	MAX
50mA~8A	4 Hrs	5 Sec

Interrupting Ratings
50 amperes at 250V AC
Operating Temperature
-55°C to +125°C

Options

With Heat Shrink Tubing (VM-1) over body
3GFUP Series Available on Tape and reel
Physical Specification

Materials

Glass body/Nickel Brass Caps

Lead Wire:

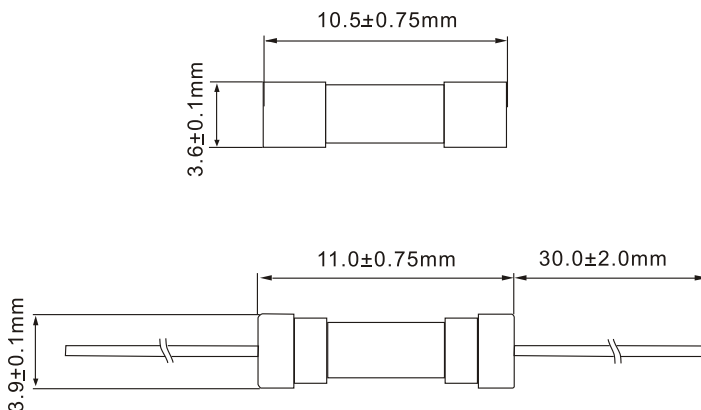
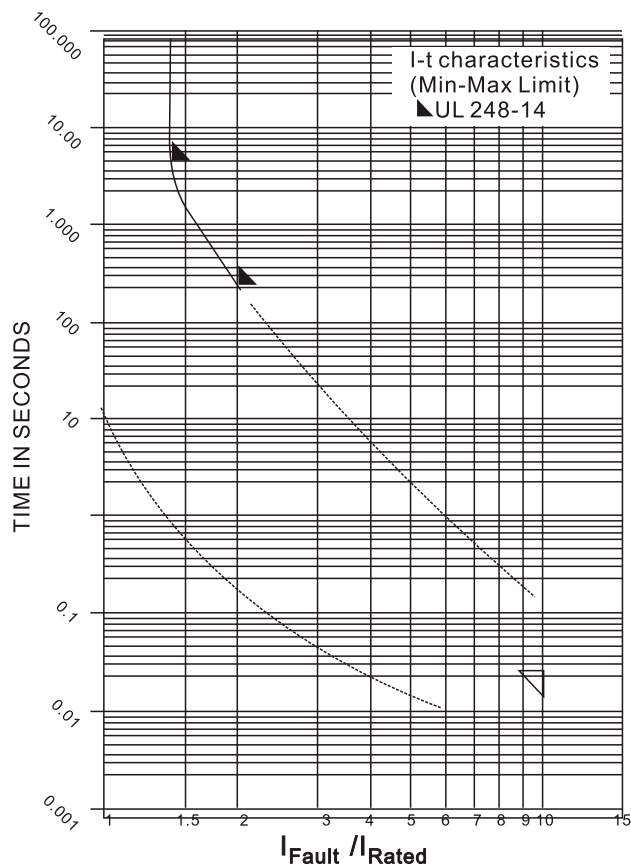
Diameter \varnothing 0.6mm 5A and less.
Diameter \varnothing 0.65mm for rating above 6A

Packaging

In Bulk:

3GFU-500pcs; 3GFUP-200pcs

Cartridge Catalog Number	Axial Lead Catalog Number	Ampere Rating [In]	Voltage Rating (V)	Nominal Resistance Cold Ohms	Nominal Melting Pt A ² Sec
3GFU.100	3GFUP.100	100mA	125V 250V	4.8250	0.00194
3GFU.125	3GFUP.125	125mA		3.8620	0.00286
3GFU.200	3GFUP.200	200mA		1.7302	0.01137
3GFU.250	3GFUP.250	250mA		1.6120	0.02248
3GFU.300	3GFUP.300	300mA		0.9250	0.02945
3GFU.400	3GFUP.400	400mA		0.5840	0.06950
3GFU.500	3GFUP.500	500mA		0.2322	0.12750
3GFU.600	3GFUP.600	600mA		0.1765	0.21800
3GFU.750	3GFUP.750	750mA		0.1310	0.25420
3GFU.800	3GFUP.800	800mA		0.1215	0.30420
3GFU1	3GFUP1	1A		0.1056	0.50800
3GFU1.50	3GFUP1.50	1.5A		0.0595	0.88400
3GFU1.60	3GFUP1.60	1.6A		0.0565	0.96500
3GFU2	3GFUP2	2A		0.0378	2.27000
3GFU2.50	3GFUP2.50	2.5A		0.0342	3.73240
3GFU3.15	3GFUP3.15	3.15A		0.0253	5.95200
3GF4	3GFU4	4A	0.0170	9.77000	
3GFU5	3GFUP5	5A	0.0145	15.5600	
3GFU6	3GFUP6	6A	0.0132	17.9730	
3GFU6.30	3GFUP6.30	6.3A	0.0120	19.2510	
3GFU6.50	3GFUP6.50	6.5A	0.0118	21.8500	
3GFU7	3GFUP7	7A	0.0111	25.8150	
3GFU8	3GFUP8	8A	0.0088	35.2150	



富源电子科技有限公司

富源电子科技有限公司

HTTP: //www.fuyuanfuse.com

E-mail: fuyuanfuse@163.com

地址: 东莞市东城区下桥银桥工业区

TEL: 0769-23115816 FAX: 0769-23115819